

FEATURES:

- Comply with RoHS standard, UL1950, IEC950 safety procedures
- Wide voltage input range, broadband noise filtering; Low ripple output
- Typical efficiency 82%
- High isolation voltage, short circuit, overload, overheat protection self-recovery
- Miniaturized design
- Fast dynamic response
- Size: 81.5*68*17mm
- Weight: 160g
- Widely used in military, communications, industrial control, transportation, electric power, new energy and scientific research and experiment and other fields



Selection Guide

Part No.	INPUT		OUTPUT				Capacitive Load(μF)
	Normal (VAC)	Range (VAC)	Voltage (V1dc)	current (mA)	Voltage (V2dc)	current (mA)	
LD75E-12S05M	12	9-18	5	15000			
LD75E-12S12M			12	6250			
LD75E-12S15M			15	5000			
LD75E-12S24M			24	3100			
LD75E-12S28M			28	2680			
LD75E-12S48M			48	1560			
LD75E-24S05M	24	18-36	5	15000			
LD75E-24S12M			12	6250			
LD75E-24S15M			15	5000			
LD75E-24S24M			24	3100			
LD75E-24S28M			28	2680			
LD75E-24S48M			48	1560			
LD75E-48S05M	48	36-72	5	15000			
LD75E-48S12M			12	6250			
LD75E-48S15M			15	5000			
LD75E-48S24M			24	3100			
LD75E-48S28M			28	2680			
LD75E-48S48M			48	1560			
LD75E-110S05M	110	72-144	5	15000			
LD75E-110S12M			12	6250			
LD75E-110S15M			15	5000			
LD75E-110S24M			24	3100			
LD75E-110S28M			28	2680			
LD75E-18S05M	18	36-72	5	15000			

LD75E-18S12M			12	6250			
LD75E-18S15M			15	5000			
LD75E-18S24M			24	3100			
LD75E-18S28M			28	2680			
LD75E-18S48M			48	1560			
LD75E-36S05M	36	18-72	5	15000			
LD75E-36S12M			12	6250			
LD75E-36S15M			15	5000			
LD75E-36S24M			24	3100			
LD75E-36S28M			28	2680			
LD75E-36S48M			48	1560			

customized accepted,pls contact sales for details

Input Specifications

Input Voltage Range	Input Voltage Range (Vdc)	Nom(Vdc)	Max (Vdc)
	9-18	12	18
	9-36	18	24
	18-36	24	36
	36-72	48	72
	18-72	36	72
	72-144	110	144

Output Specifications

Item	Min	Typ	Max	Test Conditions
Voltage Accuracy		±1%		
Voltage Adjust Rate		±0.2%		
Load Regulation		±0.5%		
Auxiliary Voltage Accuracy		±3%		
Ripple&Noisy		±1%		
Temperature Regulation		±0.02%/°C		
Over Current Protect	120%		150%	
Short Circuit Protect	Burp type, self-recovery			
Dynamic Response	400μS		25% load	

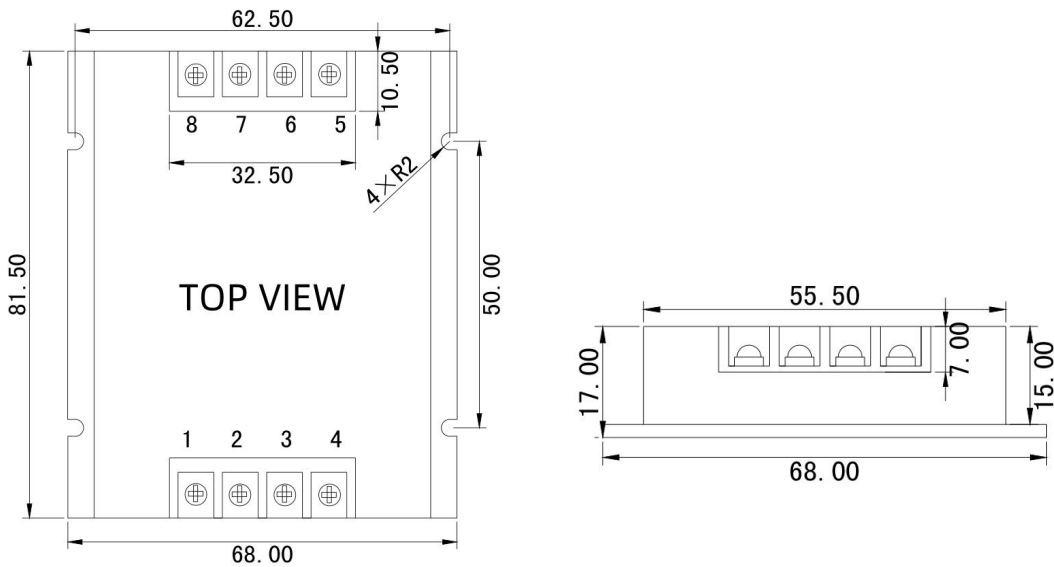
General Specifications

Isolation Resistor	200MΩ	Input-Output
Isolation Voltage	1000VDC	Input-Output
	500VDC	Input-Case
	500VDC	Output-Case
Switching Frequency	300KHz	Mil HDBK 217F Tc=25°C
MTBF	200000Hrs	
Case Temperature	-40~+100°C	
Storage Temperature	-55~+125°C	

Relative Humidity	5%-90%	
Pin Solder Temperature	250°C	Soldering spot is 1.5mm away from case for 10 seconds
Hand Soldering Time	5s	Iron Temperature 425 °C
Temperature Coefficient	±0.02%/°C	
Shock	5G	10~55Hz
Cooling	Free Air	
Weight	160g (Typ)	

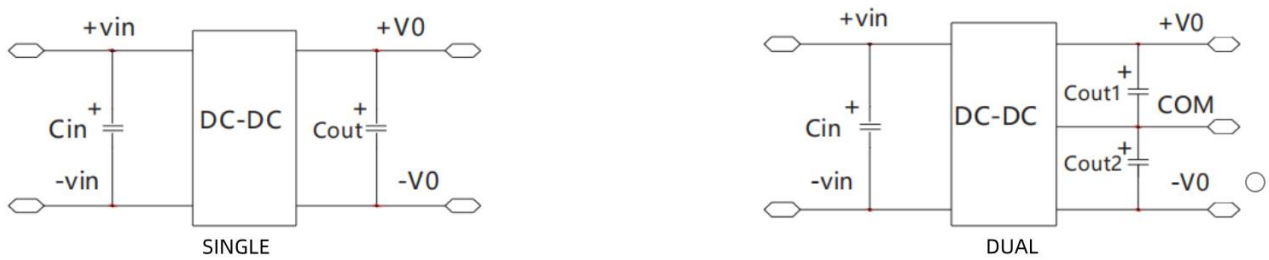
**Unless specified, otherwise all other parameters are tested under the following conditions: nominal input voltage, pure resistive load, 25°C room temperature environment.

Dimensions and Recommended Layout



Unit:mm

Recommended Circuit



Remark:

Adding input capacitor CIN helps to improve electromagnetic compatibility. Electrolytic capacitor 47 uf-100uf CIN is recommended. If the module is connected to a digital circuit, add cout, cout1, cout2

Noted

1. Input current: Ensure that the output current of the power supply meets the instantaneous starting current of the power module (that is, twice the average input current of the power module).
2. Output load requirements: Avoid no-load use. When the actual power consumption of the load is less than 10% of the rated output power of the module or no load occurs, connect an external resistance to the output end (the sum of the external resistance and the load power is greater than or equal to 10% of the rated load) or select a module with a

smaller rated power.

3. The external capacitance of the output end should not be too large; otherwise, the module may be overcurrent or poorly started. For details, see the external capacitance recommendation table.
4. External LC filter circuit can be connected for occasions with high ripple noise requirements.