

FEATURES:

- Comply with RoHS standard, UL1950, IEC950 safety procedures
- Wide voltage input range, broadband noise filtering; Low ripple output
- Typical efficiency 82%
- High isolation voltage, short circuit, overload, overheat protection self-recovery
- Miniaturized design
- Fast dynamic response
- Size: 301*241*94mm
- Weight: 8KG
- Widely used in military, communications, industrial control, transportation, electric power, new energy and scientific research and experiment and other fields



Selection Guide

Part No.	INPUT		OUTPUT				Capacitive Load (μ F)
	Nominal (VAC)	Range (VAC)	Voltage (V1dc)	current (A)	Voltage (V2dc)	current (A)	
LD3000E-24S24	24	18-36	24	125			
LD3000E-24S28			28	107.14			
LD3000E-24S48			48	62.5			
LD3000E-48S24	48	36-72	24	125			
LD3000E-48S28			28	107.14			
LD3000E-48S48			48	62.5			
LD3000E-110S24	110	72-144	24	125			
LD3000E-110S28			28	107.14			
LD3000E-110S48			48	62.5			
LD3000E-300S24	300	200-400	24	125			
LD3000E-300S28			28	107.14			
LD3000E-300S48			48	62.5			
LD3000E-600S24	600	400-800	24	125			
LD3000E-600S28			28	107.14			
LD3000E-600S48			48	62.5			

customized accepted, pls contact sales for details

Input Specifications

Input Voltage Range	Input Voltage Range (Vdc)	Nom(Vdc)	Max (Vdc)
	18-36	24	36
	36-72	48	72
	72-144	110	144
	200-400	300	400
	400-800	600	800

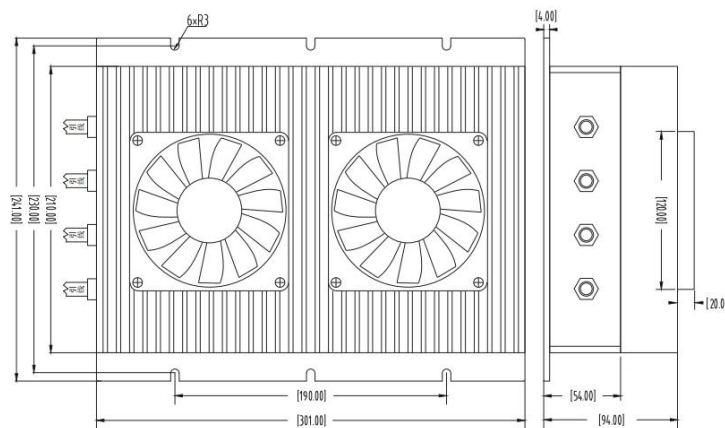
Output Specifications

Item	Min	Typ	Max	Test Conditions
------	-----	-----	-----	-----------------

Voltage Accuracy		±1%	
Voltage Adjust Rate		±0.2%	
Load Regulation		±0.5%	
Auxiliary Voltage Accuracy		±3%	
Ripple&Noisy		±1%	
Temperature Regulation		±0.02%/°C	
Over Current Protect	120%		150%
Short Circuit Protect	Burp type, self-recovery		
Dynamic Response	400µS		25% load
General Specifications			
Isolation Resistor	200MΩ		Input-Output
Isolation Voltage	1000VDC		Input-Output
	500VDC		Input-Case
	500VDC		Output-Case
Switching Frequency	300KHz		Mil HDBK 217F Tc=25°C
MTBF	200000Hrs		
Case Temperature	-40~+100°C		
Storage Temperature	-55~+125°C		
Relative Humidity	5%-90%		
Pin Solder Temperature	250°C		Soldering spot is 1.5mm away from case for 10 seconds
Hand Soldering Time	5s		Iron Temperature 425 °C
Temperature Coefficient	±0.02%/°C		
Shock	5G		10~55Hz
Cooling	Free Air		
Weight	8KG (Typ)		

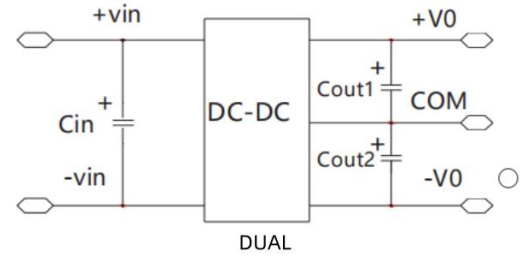
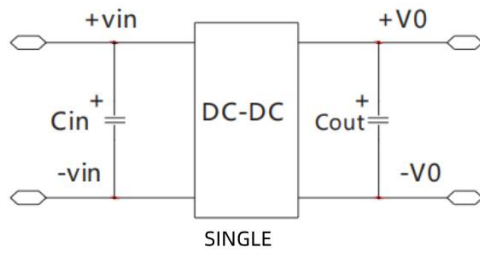
**Unless specified, otherwise all other parameters are tested under the following conditions: nominal input voltage, pure resistive load, 25°C room temperature environment.

Dimensions and Recommended Layout



Unit:mm

Recommended Circuit



Remark:

Adding input capacitor CIN helps to improve electromagnetic compatibility. Electrolytic capacitor 47 uf-100uf CIN is recommended. If the module is connected to a digital circuit, add cout, cout1, cout2

Noted

1. Input current: Ensure that the output current of the power supply meets the instantaneous starting current of the power module (that is, twice the average input current of the power module).
2. Output load requirements: Avoid no-load use. When the actual power consumption of the load is less than 10% of the rated output power of the module or no load occurs, connect an external resistance to the output end (the sum of the external resistance and the load power is greater than or equal to 10% of the rated load) or select a module with a smaller rated power.
3. The external capacitance of the output end should not be too large; otherwise, the module may be overcurrent or poorly started. For details, see the external capacitance recommendation table.
4. External LC filter circuit can be connected for occasions with high ripple noise requirements.