

FEATURES:

- Wide voltage input range, broadband noise filtering; Low ripple output
- Typical efficiency 82%
- High isolation voltage, short circuit, overload, overheat protection self-recovery
- Miniaturized design
- Fast dynamic response
- Size:313*194*81 mm
- Weight:4.5KG
- Widely used in military,communications, industrial control,transportation,electric power,new energy and scientific research and experiment and other fields



Selection Guide

| Part No. | INPUT | | OUTPUT | | | | CapacitiveLoad(μF) |
|-----------------|-----------------|----------------|-------------------|----------------|-------------------|----------------|--------------------|
| | Normal (VAC) | Range (VAC) | Voltage (V1dc) | current (A) | Voltage (V2dc) | current (A) | |
| LAF1500E-220S24 | 220 | 85-265 | 24 | 62.5 | | | |
| LAF1500E-220S28 | | | 28 | 53.57 | | | |
| LAF1500E-220S48 | | | 48 | 31.25 | | | |

customized accepted,pls contact sales for details

Input Specifications

| Input Voltage Range | Input Voltage Range (Vac) | Nom(Vac) | Max (Vac) |
|---------------------|---------------------------|----------|-----------|
| | 165-265 | 220 | 265 |

Output Specifications

| Item | Min | Typ | Max | Test Conditions |
|----------------------------|--------------------------|-----------|----------|-----------------|
| Voltage Accuracy | | ±1% | | |
| Voltage Adjust Rate | | ±0.2% | | |
| Load Regulation | | ±0.5% | | |
| Auxiliary Voltage Accuracy | | ±3% | | |
| Ripple&Noisy | | ±1% | | |
| Temperature Regulation | | ±0.02%/°C | | |
| Over Current Protect | 120% | | 150% | |
| Short Circuit Protect | Burp type, self-recovery | | | |
| Dynamic Response | 400μS | | 25% load | |

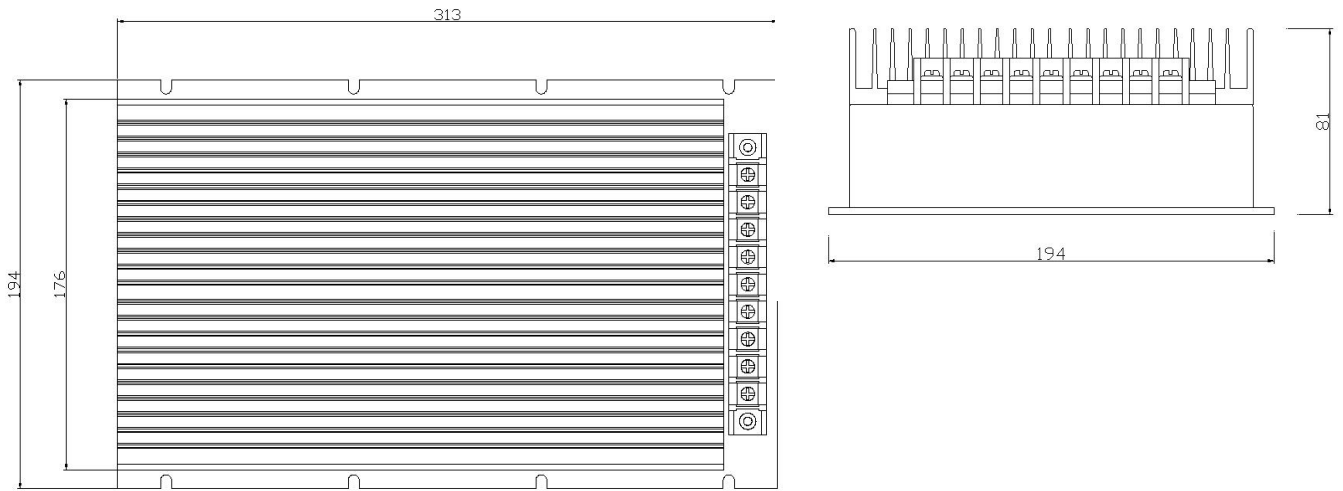
General Specifications

| | | |
|---------------------|------------|-----------------------|
| Isolation Resistor | 200MΩ | Input-Output |
| Isolation Voltage | 1500VAC | Input-Output |
| | 1000VAC | Input-Case |
| | 500VDC | Output-Case |
| Switching Frequency | 300KHz | Mil HDBK 217F Tc=25°C |
| MTBF | 200000Hrs | |
| Case Temperature | -40~+100°C | |
| Storage Temperature | -55~+125°C | |
| Relative Humidity | 5%-90% | |

| | | |
|-------------------------|-------------|---|
| Pin Solder Temperature | 250 °C | Soldering spot is 1.5mm away from case for 10 seconds |
| Hand Soldering Time | 5s | Iron Temperature 425 °C |
| Temperature Coefficient | ±0.02%/°C | |
| Shock | 5G | 10~55Hz |
| Cooling | Free Air | |
| Weight | 4.5KG (Typ) | |

**Unless specified, otherwise all other parameters are tested under the following conditions: nominal input voltage, pure resistive load, 25°C room temperature environment.

Dimensions and Recommended Layout



Unit:mm

Recommended Circuit



Remark:

Output filter capacitors C1 and C3 to remove high-frequency noise, it is recommended to use 1μF ceramic capacitor, capacitor voltage drop greater than 80%; The output filter capacitors C2 and C4 are electrolytic capacitors. It is recommended to use high-frequency and low-resistance electrolytic capacitors with a capacity of 100uF/1A output current, and the capacitance voltage drop is greater than 80%. FUSE: Mandatory, 3.15A/250V recommended, slow break.

Noted

1. Input current: Ensure that the output current of the power supply meets the instantaneous starting current of the power module (that is, twice the average input current of the power module).

2. Output load requirements: Avoid no-load use. When the actual power consumption of the load is less than 10% of the rated output power of the module or no load occurs, connect an external resistance to the output end (the sum of the external resistance and the load power is greater than or equal to 10% of the rated load) or select a module with a smaller rated power.
3. The external capacitance of the output end should not be too large; otherwise, the module may be overcurrent or poorly started. For details, see the external capacitance recommendation table.
4. External LC filter circuit can be connected for occasions with high ripple noise requirements.