

FEATURES:

- Wide input range
- Continuous short-circuit protection, self recover
- I/O isolation voltage 1.5KV
- Working temperature: -40°C~+105°C
- No additional components required
- Stable performance and high reliability (MTBF≥120K hours)
- Industry standard pin-out
- Aluminium case



Selection Guide

Part No.	INPUT		OUTPUT				Capacitive Load(μF)
	Normal (Vdc)	Range (Vdc)	Voltage (V1dc)	current (mA)	Voltage (V2dc)	current (mA)	
LT20-M2S05	600	200-1200	5	4000			
LT20-M2S12			12	1667			
LT20-M2S15			15	1333			
LT20-M2S24			24	833			
LT20-M2D05			+5	2000	-5	2000	
LT20-M2D12			+12	833	-12	833	
LT20-M2D15			+15	667	-15	667	
LT20-M2D24			+24	417	-24	417	

customized accepted, pls contact sales for details

Input Specifications

Input Voltage Range	Input Voltage Range (Vdc)	Nom(Vdc)	Max (Vdc)
	200-1200	600	1200
Item	Min	Typ	Max
surge current	-	20A	-
Input Under Voltage Protect	-	190VDC	-

Output Specifications

Item	Typ	Max	Test Conditions
Voltage Accuracy	±2%	-	5%-100% load
No-load Output Voltage Accuracy	±1.5%	±5%	Input voltage range
Balance Of Output Voltage	±0.5%	±1%	Dual output, balanced load
Line Regulation	±1%	±2%	Input voltage variation from low to high at full load
Load Regulation	±1%	±3%	5%-100% load
Ripple&Noise	100mVp-p	120mVp-p	24VDC output
	50	80	Others

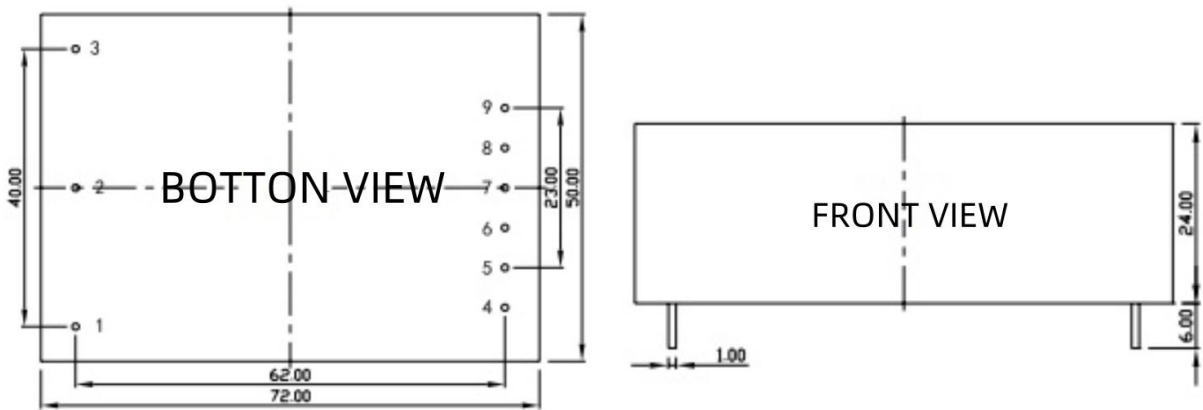
General Specifications

Switching Frequency	100KHz(Typ)	100% full load, nominal input voltage
Short-Circuit Protection	Continuous, self-recovery	

Case Temperature Rise	25°C (Typ)	
Temperature Coefficient	0.03%/°C	100% full load
Pin Soldering Resistance Temperature	300°C	Soldering spot is 1.5mm away from case for 10 seconds
Isolation (Input-Output)	1.5KVDC	Input-output electric strength test for 1 minute with a leakage current
Insulation Resistance (Input-Output)	100MΩ	Input-output resistance 500Vdc
Operating Temperature	-40~+105°C	
Storage Temperature	-55~+125°C	
Storage Humidity	<95%	Non-condensing
Cooling Method	Free air convection	
Case Material	Aluminum alloy	
Weight	70g (Typ)	

**Unless specified, otherwise all other parameters are tested under the following conditions: nominal input voltage, pure resistive load, 25°C room temperature environment.

Dimensions and Recommended Layout

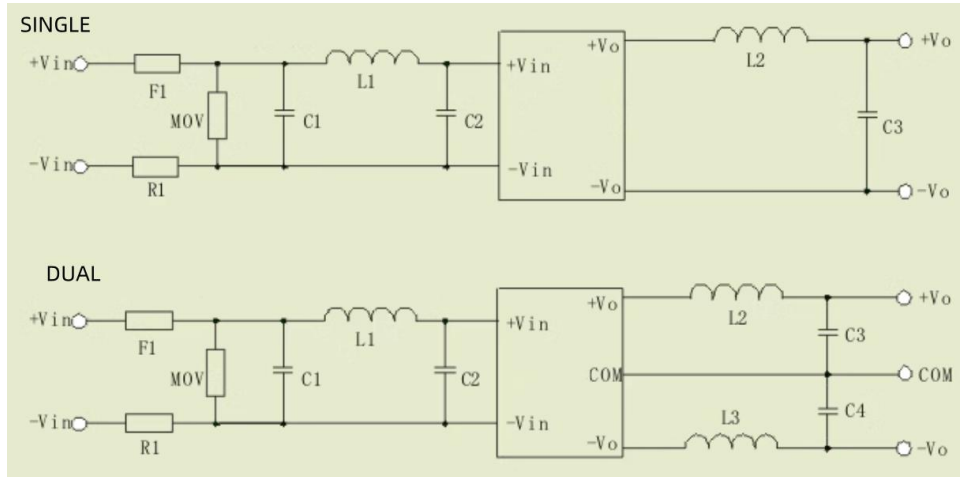


Unit:mm

Pins

Pin	Single	Dual	
1	-Vin	-Vin	
2	No Pin	No Pin	
3	+Vin	+Vin	
4	No Pin	No Pin	
5	-Vo	-Vo	
6	No Pin	No Pin	
7	No Pin	COM	
8	No Pin	No Pin	
9	+Vo	+Vo	

Recommended Circuit



F1	Input fuse, slow fuse
MOV	14D152K
R1	NTC, negative temperature coefficient thermistor (e.g. 10D-15)
C1,C2	1uF/2000V, high voltage capacitor (such as CBB capacitor)
L1,L2	2.2uH-10uH
C3	10uF-100uF

Noted

1. Input current: Ensure that the output current of the power supply meets the instantaneous starting current of the power module (that is, twice the average input current of the power module).
2. Output load requirements: Avoid no-load use. When the actual power consumption of the load is less than 10% of the rated output power of the module or no load occurs, connect an external resistance to the output end (the sum of the external resistance and the load power is greater than or equal to 10% of the rated load) or select a module with a smaller rated power.
3. The external capacitance of the output end should not be too large; otherwise, the module may be overcurrent or poorly started. For details, see the external capacitance recommendation table.
4. External LC filter circuit can be connected for occasions with high ripple noise requirements.