

Typical Performance

FEATURES

- Wide Input voltage range
- Low ripple
- 0~+/-500V Continuously adjustable output voltage
- External DC 0~2.5V can adjust and control output voltage
- With +2.5V reference source, external potentiometer can adjust and control the output voltage
- Metal case
- PCB mount
- Size:12*12*12mm(L*W*H)
- Weight: 5±1g



Technical parameter

Input voltage(Vdc)	5V(4.5~7V),12V(11~16V),24V(21~28V)
Output voltage(Vdc)	0~+/-100V,0~+/-200V,0~+/-300V,0~+/-400V,0~+/-500V
Ouput current	0.5mA~5mA
Output ripple	≤10mVp-p~50mVp-p(full input,full load)
Load adjust rate	≤0.1%(Input voltage is within the nominal range,output load 0%~100%)
Output stability	≤0.5%(Input voltage is within the nominal range,output load 0%~100%)
Output voltage regulation	Voltage regulation, potentiometer regulation
Reference voltage output	+2.5Vdc
Protect	Short circuit protect
Working temperature	-20~+65℃
Storage temperature	-50~+95℃
Temperature stability	≤40PPM℃
Temperature humidity	20%~90%RH

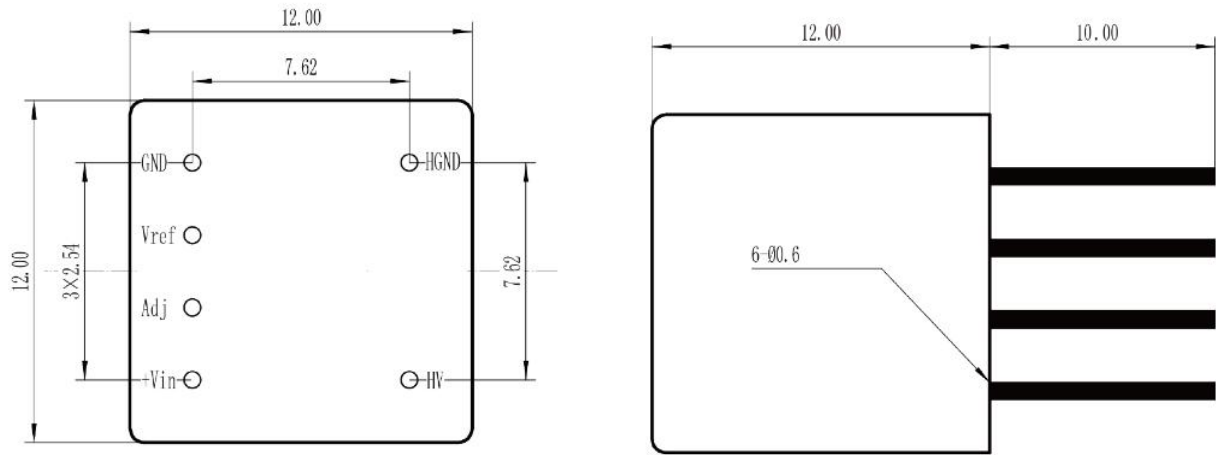
Under voltage protect

Product Program

PART #	Input voltage range	Output voltage / Ripple/Current			
		Vout	Ripple	Output	Input current

					No load	Full load	
LHA-05S100P	5V (4.5~7V)	0~+100V	≤15mV	0~2mA	≤10mA	≤90mA	
LHA-05S100N		0~-100V	≤15mV	0~2mA	≤10mA	≤90mA	
LHA-05S200P		0~+200V	≤15mV	0~1mA	≤10mA	≤90mA	
LHA-05S200N		0~-200V	≤15mV	0~1mA	≤10mA	≤90mA	
LHA-05S300P		0~+300V	≤25mV	0~1mA	≤10mA	≤90mA	
LHA-05S300N		0~-300V	≤25mV	0~1mA	≤10mA	≤90mA	
LHA-05S400P		0~+400V	≤25mV	0~0.5mA	≤10mA	≤90mA	
LHA-05S400N		0~-400V	≤25mV	0~0.5mA	≤10mA	≤90mA	
LHA-05S500P		0~+500V	≤40mV	0~0.5mA	≤10mA	≤90mA	
LHA-05S500N		0~-500V	≤40mV	0~0.5mA	≤10mA	≤90mA	
LHA-12S100P		12V(11~16V)	0~+100V	≤15mV	0~2mA	≤5mA	≤40mA
LHA-12S100N			0~-100V	≤15mV	0~2mA	≤5mA	≤40mA
LHA-12S200P	0~+200V		≤15mV	0~1mA	≤5mA	≤40mA	
LHA-12S200N	0~-200V		≤15mV	0~1mA	≤5mA	≤40mA	
LHA-12S300P	0~+300V		≤25mV	0~1mA	≤5mA	≤40mA	
LHA-12S300N	0~-300V		≤25mV	0~1mA	≤5mA	≤40mA	
LHA-12S400P	0~+400V		≤25mV	0~0.5mA	≤5mA	≤40mA	
LHA-12S400N	0~-400V		≤25mV	0~0.5mA	≤5mA	≤40mA	
LHA-12S500P	0~+500V		≤40mV	0~0.5mA	≤5mA	≤40mA	
LHA-12S500N	0~-500V		≤40mV	0~0.5mA	≤5mA	≤40mA	
LHA-24S100P	24V(21~28V)		0~+100V	≤15mV	0~2mA	≤3mA	≤20mA
LHA-24S100N			0~-100V	≤15mV	0~2mA	≤3mA	≤20mA
LHA-24S200P		0~+200V	≤25mV	0~1mA	≤3mA	≤20mA	
LHA-24S200N		0~-200V	≤25mV	0~1mA	≤3mA	≤20mA	
LHA-24S300P		0~+300V	≤25mV	0~1mA	≤3mA	≤20mA	
LHA-24S300N		0~-300V	≤25mV	0~1mA	≤3mA	≤20mA	
LHA-24S400P		0~+400V	≤40mV	0~0.5mA	≤3mA	≤20mA	
LHA-24S400N		0~-400V	≤40mV	0~0.5mA	≤3mA	≤20mA	
LHA-24S500P		0~+500V	≤40mV	0~0.5mA	≤3mA	≤20mA	
LHA-24S500N		0~-500V	≤40mV	0~0.5mA	≤3mA	≤20mA	

Mechanical Dimension



TOP VIEW

UNIT:mm

Tolerance: ±0.5mm

Pin Assignment

PIN	1	2	3	4	5	6					
Single O/P	+Vin	Adj	Vref	GND	HV	HGN					

Remark:

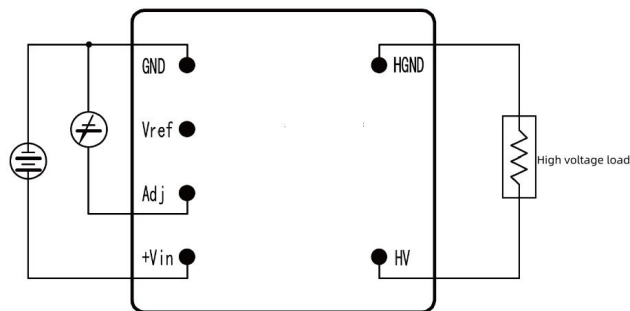
Vref: Potentiometer Voltage regulator reference output (+5V/+2.5V)

ADJ: Voltage regulator input positive terminal (0~5V/2.5V)


HV: Output high voltage

Connection mode

1. Voltage regulation connect



TOP VIEW

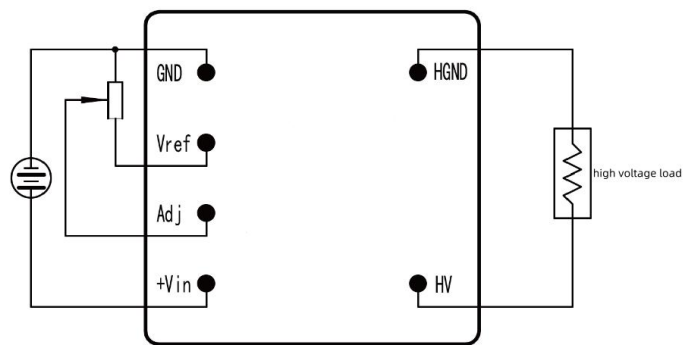
 :Input voltage:5V(4.5~7V),12V(11~16V,24V(21~28V)

 :External control power supply


Input 0~2.5VDC voltage can be continuously adjusted to control 0~rated output voltage, external control power depends on the voltage, the required power is weak, the input current is generally not more than 200uA

Note: The stability of the external control voltage directly affects the stability and linearity of the output high voltage, so be sure to ensure the quality of the external control voltage signal

2. Potentiometer voltage regulation connect



TOP VIEW

 : Input voltage: 5V(4.5~7V), 12V(11~16V), 24V(21~28V)

Note: The external potentiometer can choose 5K, 10K, 20K potentiometer, 10K multi-turn potentiometer is recommended