

FEATURES:

- Wide input range: 85-265VAC
- Short-circuit protection,over current protect,over voltage protect,over temperature protect
- Efficiency(typ):81%
- Switching frequency: 60Khz
- No load power(typ):0.1W
- Metal case
- PCB mount



Selection Guide

Part No.	INPUT		OUTPUT				CapacitiveLoad(μF)
	Normal (Vac)	Range (Vac)	Voltage (V1dc)	current (mA)	Voltage (V2dc)	current (mA)	
LA3-220S2X1B	220V	85-265V	2.1	600			
LA3-220S3V3B			3.3	600			
LA3-220S05B			5	600			
LA3-220S06B			6	500			
LA3-220S09B			9	330			
LA3-220S12B			12	250			
LA3-220S15B			15	200			
LA3-220S18B			18	160			
LA3-220S24B			24	120			
LA3-220S48B			48	60			
LA3-220D3X3B			+3.3	300	-3.3	300	
LA3-220D05B			+5	300	-5	300	
LA3-220D06B			+6V	250	-6	250	
LA3-220D09B			+9V	165	-9	165	
LA3-220D12B			+12V	125	-12	125	
LA3-220D15B			+15V	100	-15	100	
LA3-220D24B			+24V	60	-25	60	
LA3-220D48B			+48V	30	-48	30	
LA3-220D05IB			+5V	300	+5	300	
LA3-220S5S12IB			+5V	350	+12	100	

customized accepted,pls contact sales for details

Input Specifications

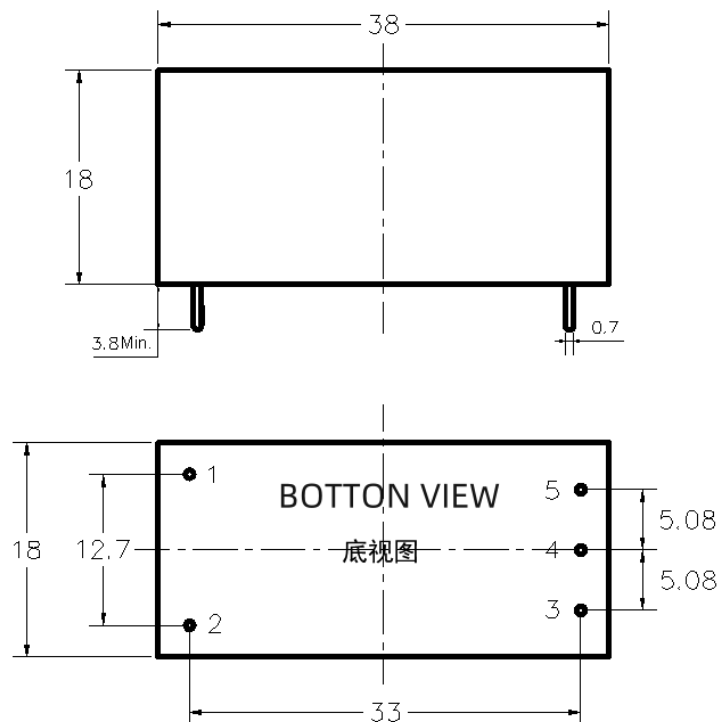
Input Voltage Range	Input Voltage Range (Vac)	nominal input voltage	Max (Vac)
	85-265	220	265
Input Filter	Capacitive Filter		
Ctrl	NONE		
	NONE		
Hot Plug	Unavailable		

Output Specifications			
Item	Typ	Max	Test Conditions
Voltage Accuracy	±1%		
Line Regulation	±0.1%		
Load Regulation	±0.5%		
Ripple&Noise	50mVp-p		20MHz Bandwidth, full load

General Specifications		
Switching Frequency	65KHz(Typ)	100% full load, nominal input voltage
Short-Circuit Protection	Continuous, self-recovery	
Isolation (Input-Output)	4000VAC	Input-output electric strength test for 1 minute with a leakage current
Operating Temperature	-25~+75°C	
Storage Temperature	-40~+85°C	
Storage Humidity	<95%	Non-condensing
Cooling Method	Free air convection	
Case Material	Metal case	
Weight	25g (Typ)	

**Unless specified, otherwise all other parameters are tested under the following conditions: nominal input voltage, pure resistive load, 25°C room temperature environment.

Dimensions and Recommended Layout



Unit:mm

Pins			
Pin	Mark		
1	L		

2	N		
3	GND		
4	No Pin		
5	Vo1		