

FEATURES:

- Wide input range: 85-305VAC/100-432VDC
- Short-circuit protection, over current protect, over voltage protect, over temperature protect
- Efficiency(typ):81%
- Switching frequency: 60Khz
- No load power(typ):0.1W
- Flame-retardant case to meet UL94-V0 requirements
- PCB mount



Selection Guide

Part No.	INPUT		OUTPUT			Full Load Efficiency (%/Typ)	Capacitive Load(μF)
	Normal (Vac)	Range (Vac)	Voltage (Vdc)	Min current (mA)	Max current (mA)		
LA3-220S3V3F	220V	85-305V	3.3		600	60	1000
LA3-220S05F			5		600	71	1000
LA3-220S09F			9		340	75	470
LA3-220S12F			12		250	78	470
LA3-220S15F			15		200	78	470
LA3-220S24F			24		125	81	220

customized ,pls contact sales

Input Specifications

Input Voltage Range	Input Voltage Range (Vac)	nominal input voltage	Max (Vac)
	85-305	220	305
Input Filter	Capacitive Filter		
Ctrl	NONE		
	NONE		
Hot Plug	Unavailable		

Output Specifications

Item	Typ	Max	Test Conditions
Voltage Accuracy	±1%		
Line Regulation	±0.1%		
Load Regulation	±0.5%		
Ripple&Noise	60mVp-p		20MHz Bandwidth, full load

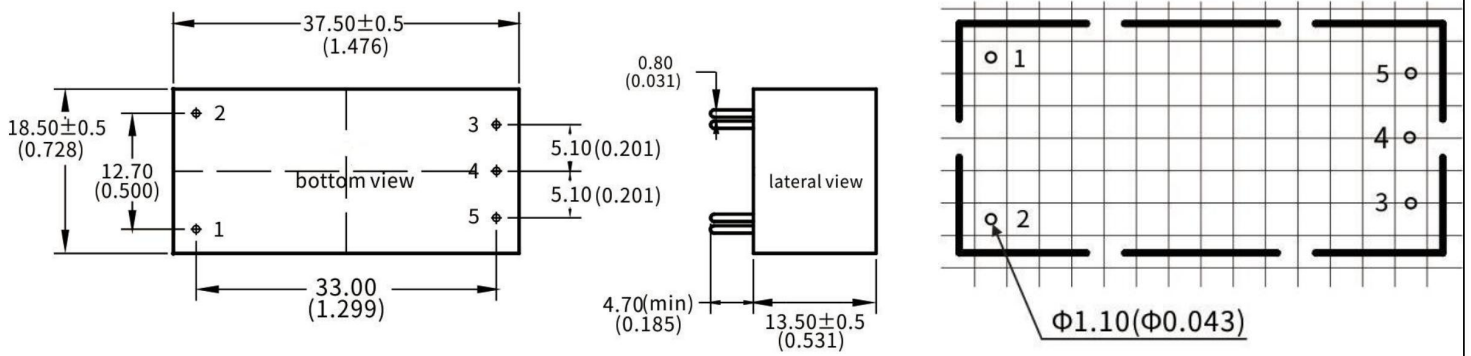
General Specifications

Switching Frequency	60KHz(Typ)	100% full load, nominal input voltage
Short-Circuit Protection	Continuous, self-recovery	
Isolation (Input-Output)	4000VAC	Input-output electric strength test for 1 minute with a leakage current
Operating Temperature	-25~+75°C	

Storage Temperature	-40~+85°C	
Storage Humidity	<95%	Non-condensing
Cooling Method	Free air convection	
Case Material	Black plastic; flame-retardant and heat-resistant (UL94 V-0)	
Weight	20g (Typ)	

**Unless specified, otherwise all other parameters are tested under the following conditions: nominal input voltage, pure resistive load, 25°C room temperature environment.

Dimensions and Recommended Layout



Pins

Pin	Mark		
1	N		
2	L		
3	+Vo		
4	NP		
5	-Vo		