

## FEATURES:

- Wide input range
- Continuous short-circuit protection, self recover
- I/O isolation voltage 1.5KV
- Working temperature:  $-40^{\circ}\text{C} \sim +85^{\circ}\text{C}$
- No additional components required
- Stable performance and high reliability (MTBF $\geq$ 1000K hours)
- Industry standard pin-out
- Metal case
- DIP package

## Selection Guide

Part No.	INPUT		OUTPUT				CapacitiveLoad( $\mu\text{F}$ )
	Normal (Vdc)	Range (Vdc)	Voltage (V1dc)	current (mA)	Voltage (V2dc)	current (mA)	
LD75-12S05A	12	9-18	5	15000			
LD75-12S12A			12	6250			
LD75-12S15A			15	5000			
LD75-12S18A			18	4167			
LD75-12S24A			24	3125			
LD75-12S28A			28	2679			
LD75-12S48A			48	1563			
LD75-24S05A	24	18-36	5	15000			
LD75-24S12A			12	6250			
LD75-24S15A			15	5000			
LD75-24S18A			18	4167			
LD75-24S24A			24	3125			
LD75-24S28A			28	2679			
LD75-24S48A			48	1563			
LD75-48S05A	48	36-72	5	15000			
LD75-48S12A			12	6250			
LD75-48S15A			15	5000			
LD75-48S18A			18	4167			
LD75-48S24A			24	3125			
LD75-48S28A			28	2679			
LD75-48S48A			48	1563			
LD75-110S05A	110	72-144	5	15000			
LD75-110S12A			12	6250			
LD75-110S15A			15	5000			
LD75-110S18A			18	4167			
LD75-110S24A			24	3125			
LD75-110S28A			28	2679			
LD75-110S48A			48	1563			

\*\*customized accepted ,pls contact sales for details\*\*

## Input Specifications

Input Voltage	Input Voltage Range (Vdc)	Nom(Vdc)	Max (Vdc)
	9-18	12	18
	18-36	24	36
	36-72	48	72
	72-144	110	144
Hot Plug	Unavailable		

## Output Specifications

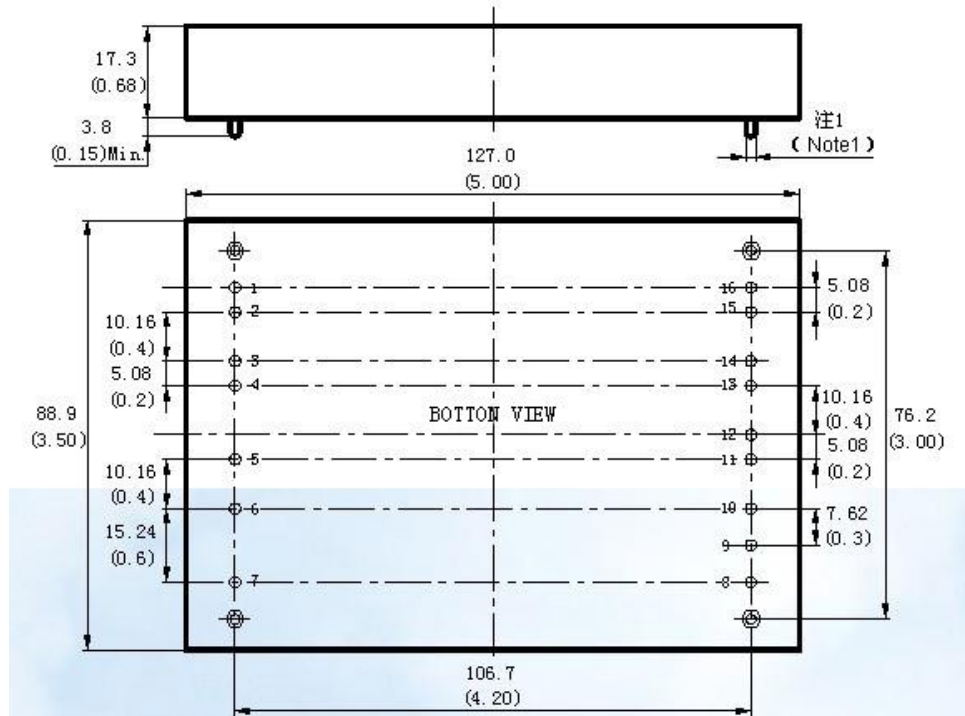
Item	Typ	Max	Test Conditions
Voltage Accuracy	±1%	±3%	0-100% load
Line Regulation	±0.2%	±0.5%	Input voltage variation from low to high at full load
Load Regulation	±0.5%	±1%	5%-100% load
Ripple&Noise	-	100mVp-p	20MHz bandwidth, 5%-100% load
Transient Recovery Time	300µs	500µs	25% load step change, Nominal input voltage
Over-voltage Protection	-	160%Vo	110%Vo(Min)
Over-current Protection	140%Io	190%Io	110%Io(Min)
Short-circuit Protection			Continuous, self-recovery

## General Specifications

Switching Frequency	300KHz(Typ)	PWM mode
MTBF	1000 K hours	MIL-HDBK-217F@25°C
Temperature Coefficient	0.03%/°C	100% full load
Isolation (Input-Output)	1.5KVDC	
Insulation Resistance	1000MΩ	Input-output resistance 500Vdc
Operating Temperature	-40~+85°C	
Storage Temperature	-55~+125°C	
Storage Humidity	5-95%	Non-condensing
Cooling Method	Free air convection	
Case Material	Aluminum alloy	
Weight	60g (Typ)	

\*\*Unless specified, otherwise all other parameters are tested under the following conditions: nominal input voltage, pure resistive load, 25°C room temperature environment.

## Dimensions and Recommended Layout

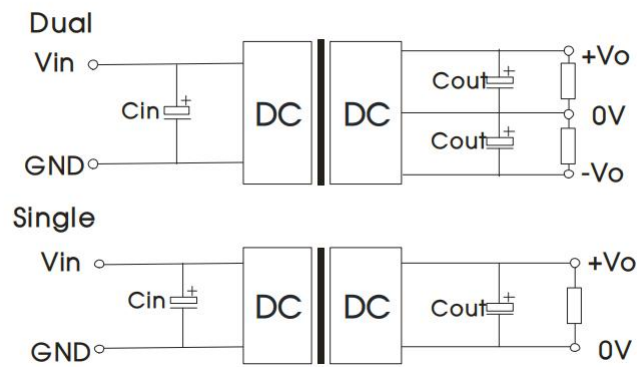


Note:  
Unit: mm[inch]  
Pin diameter tolerances:  $\pm 0.10[\pm 0.004]$   
General tolerances:  $\pm 0.50[\pm 0.020]$

**Pins**

	Single	Dual	Triple
1	+Vin	+Vin	+Vin
2	+Vin	+Vin	+Vin
3	-Vin	-Vin	-Vin
4	-Vin	-Vin	-Vin
5	FG	FG	FG
6	FG	FG	FG
7	CTRL	CTRL	CTRL
8	-S	-S	Vo3
9	TRIM	TRIM	COM
10	+S	+S	Vo2
11	No Pin	Vo2	No Pin
12	No Pin	Vo2	No Pin
13	GND	COM	GND
14	GND	COM	GND
15	Vo1	Vo1	Vo1
16	Vo1	Vo1	Vo1

**Recommended Circuit**



Recommended input and output capacitor values

$V_{in}$	$C_{in}$	$C_{out}$		
5	100uF/16V			
12	100uF/25V			
24	10uF/50V-47uF/50V			
48	10uF/100V-47uF/100V			

Noted

1. Input current: Ensure that the output current of the power supply meets the instantaneous starting current of the power module (that is, twice the average input current of the power module).
2. Output load requirements: Avoid no-load use. When the actual power consumption of the load is less than 10% of the rated output power of the module or no load occurs, connect an external resistance to the output end (the sum of the external resistance and the load power is greater than or equal to 10% of the rated load) or select a module with a smaller rated power.
3. The external capacitance of the output end should not be too large; otherwise, the module may be overcurrent or poorly started. For details, see the external capacitance recommendation table.
4. External LC filter circuit can be connected for occasions with high ripple noise requirements.