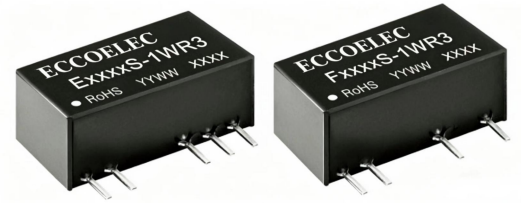


FEATURES:

- Fixed voltage input, single/dual unregulated output, 1W
- Continuous short-circuit protection, self recover
- I/O isolation voltage 3KV
- Working temperature: -40°C~+105°C
- No additional components required
- Stable performance and high reliability (MTBF≥3500K hours)
- Industry standard pin-out
- Flame-retardant case to meet UL94-V0 requirements
- SIP package



Selection Guide

Part No.	INPUT		OUTPUT			Full Load Efficiency (%/Typ)	Capacitive Load(μF)		
	Normal (Vdc)	Range (Vdc)	Voltage (Vdc)	Min current (mA)	Max current (mA)				
F0303S-1WR3	3.3	2.97-3.63	3.3	31	303	74	2200		
F0305S-1WR3			5	20	200	78	2200		
F0309S-1WR3			9	12	111	80	1000		
F0312S-1WR3			12	9	83	80	560		
F0315S-1WR3			15	7	67	80	560		
F0324S-1WR3			24	5	42	82	220		
E0503S-1WR3	5	4.5-5.5	±3.3	±15	±151	74	1000		
E0505S-1WR3			±5	±10	±100	82	1000		
E0509S-1WR3			±9	±6	±56	83	470		
E0512S-1WR3			±12	±5	±42	83	220		
E0515S-1WR3			±15	±4	±33	83	220		
E0524S-1WR3			±24	±3	±21	85	100		
F0503S-1WR3			3.3	31	303	74	2200		
F0505S-1WR3			5	20	200	78	2200		
F0509S-1WR3			9	12	111	80	1000		
F0512S-1WR3			12	9	83	80	560		
F0515S-1WR3			15	7	67	80	560		
F0524S-1WR3			24	5	42	82	220		
E1203S-1WR3			12	10.8-13.2	±3.3	±15	±151	74	1000
E1205S-1WR3					±5	±10	±100	82	1000
E1209S-1WR3	±9	±6			±56	83	470		
E1212S-1WR3	±12	±5			±42	83	220		
E1215S-1WR3	±15	±4			±33	83	220		
E1224S-1WR3	±24	±3			±21	85	100		
F1203S-1WR3	3.3	31			303	74	2200		
F1205S-1WR3	5	20			200	78	2200		
F1209S-1WR3	9	12			111	80	1000		

F1212S-1WR3			12	9	83	80	560		
F1215S-1WR3			15	7	67	80	560		
F1224S-1WR3			24	5	42	82	220		
E1503S-1WR3	15	13.5-16.5	±3.3	±15	±151	74	1000		
E1505S-1WR3			±5	±10	±100	82	1000		
E1509S-1WR3			±9	±6	±56	83	470		
E1512S-1WR3			±12	±5	±42	83	220		
E1515S-1WR3			±15	±4	±33	83	220		
E1524S-1WR3			±24	±3	±21	85	100		
F1505S-1WR3			5	20	200	78	2200		
F1509S-1WR3			9	12	111	80	1000		
F1512S-1WR3			12	9	83	80	560		
F1515S-1WR3			15	7	67	80	560		
F1524S-1WR3			24	5	42	82	220		
E2403S-1WR3			24	21.6-26.4	±3.3	±15	±151	74	1000
E2405S-1WR3					±5	±10	±100	82	1000
E2409S-1WR3					±9	±6	±56	83	470
E2412S-1WR3					±12	±5	±42	83	220
E2415S-1WR3	±15	±4			±33	83	220		
E2424S-1WR3	±24	±3			±21	85	100		
F2403S-1WR3	3.3	31			303	74	2200		
F2405S-1WR3	5	20			200	78	2200		
F2409S-1WR3	9	12			111	80	1000		
F2412S-1WR3	12	9			83	80	560		
F2415S-1WR3	15	7			67	80	560		
F2424S-1WR3	24	5			42	82	220		

customized accepted ,pls contact sales for details

Input Specifications

Input Filter	Capacitive Filter	
Ctrl	NONE	
	NONE	
Hot Plug	Unavailable	

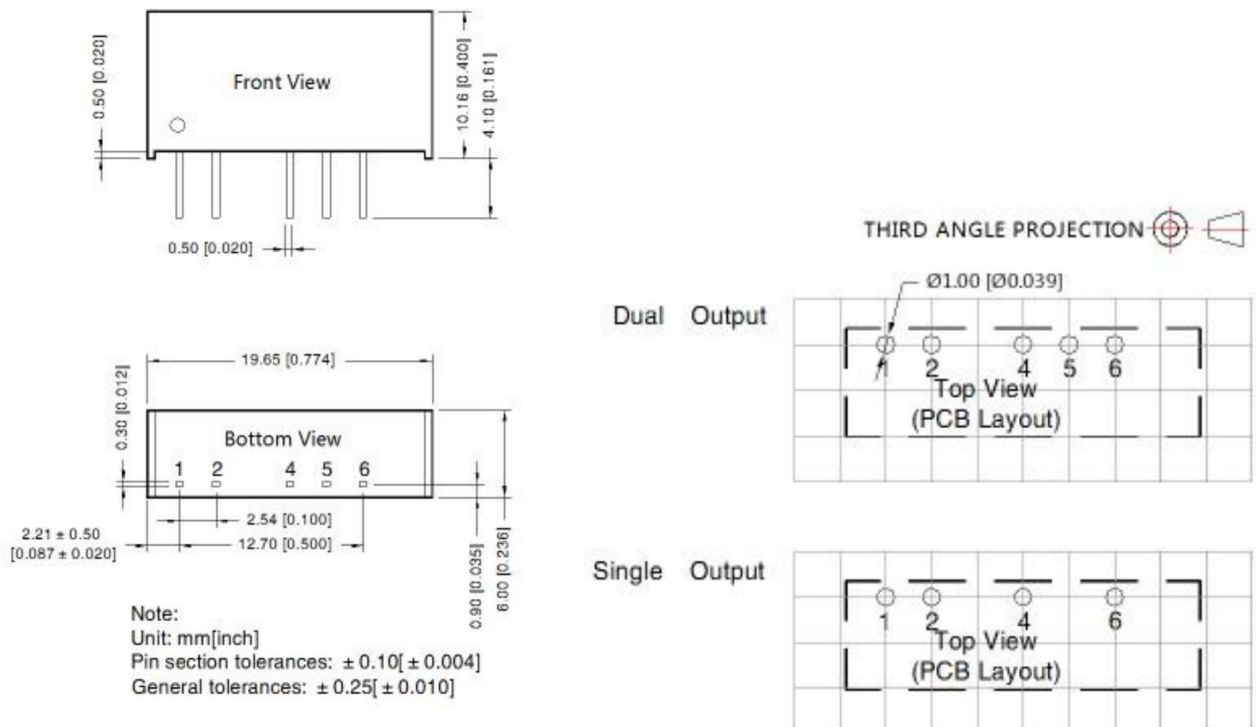
Output Specifications

Item	Min	Typ	Max	Test Conditions	
Voltage Accuracy					
Line Regulation	-	-	±1.2%	Input voltage ±1%	
Load Regulation	3.3V,±3.3Vout	-	-	15%	10% to 100% full load
	5V,±5Vout	-	-	10%	
	9V,±9Vout	-	-	8%	
	12V,±12Vout	-	-	6%	
	15V,±15Vout	-	-	6%	
	24V,±24Vout	-	-	5%	

Ripple&Noise	-	50mVp-p	75mVp-p	20MHz Bandwidth, full load
General Specifications				
Switching Frequency	250KHz(Typ)		100% full load, nominal input voltage	
Short-Circuit Protection	Continuous, self-recovery			
Case Temperature Rise	25°C (Typ)			
Temperature Coefficient	0.02%/°C		100% full load	
Pin Soldering Resistance Temperature	300°C		Soldering spot is 1.5mm away from case for 10 seconds	
Isolation (Input-Output)	3KVDC		Input-output electric strength test for 1 minute with a leakage current	
Insulation Resistance (Input-Output)	1000MΩ		Input-output resistance 500Vdc	
Operating Temperature	-40~+105°C			
Storage Temperature	-55~+125°C			
Storage Humidity	<95%RH		Non-condensing	
Cooling Method	Free air convection			
Case Material	Black plastic; flame-retardant and heat-resistant (UL94 V-0)			
Weight	2g (Typ)			

**Unless specified, otherwise all other parameters are tested under the following conditions: nominal input voltage, pure resistive load, 25°C room temperature environment.

Dimensions and Recommended Layout

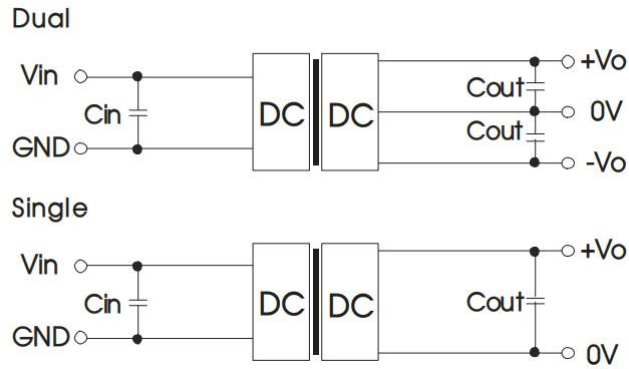


Pin-out

Pin	Singe	Dual	
1	Vin	Vin	

2	GND	GND	
4	0V	-Vo	
5	No Pin	0V	
6	+Vo	+Vo	

Recommended Circuit



	Vin	Cin	Single Vout	Cout	Dual Vout	Cout
3.3V	3.3VDC	10uF/16VDC	3.3/5VDC	10uF/16V	±3.3/±5VDC	10uF/16V
	-	-	9/12VDC	2.2uF/25V	±9/±12VDC	2.2uF/25V
	-	-	15/24VDC	1uF/50V	±15/±24VDC	1uF/50V
	5VDC	4.7uF/16VDC	3.3/5VDC	10uF/16V	±3.3/±5VDC	4.7uF/16V
	12VDC	2.2uF/25VDC	7.2/9VDC	2.2uF/16V	±9VDC	1uF/16V
	15VDC	2.2uF/25VDC	12VDC	2.2uF/25VDC	±12VDC	1uF/25V
	24VDC	1uF/50V	15VDC	1uF/25VDC	±15VDC	0.47uF/25V
	-	-	24VDC	1uF/50V	±24VDC	0.47uF/50V

Note

1. Input current: Ensure that the output current of the power supply meets the instantaneous starting current of the power module (that is, twice the average input current of the power module).
2. Output load requirements: Avoid no-load use. When the actual power consumption of the load is less than 10% of the rated output power of the module or no load occurs, connect an external resistance to the output end (the sum of the external resistance and the load power is greater than or equal to 10% of the rated load) or select a module with a smaller rated power.
3. The external capacitance of the output end should not be too large; otherwise, the module may be overcurrent or poorly started. For details, see the external capacitance recommendation table.
4. External LC filter circuit can be connected for occasions with high ripple noise requirements.

*The final interpretation right of the product belongs to ECCO ELECTRONICS.