

**FEATURES:**

- Wide input range
- Short-circuit protection, input under voltage protect, over current protect, over voltage protect, over temperature protect
- I/O isolation voltage 2250V
- Working temperature: -40°C~+100°C
- No additional components required
- Stable performance and high reliability (MTBF≥500K hours)
- Industry standard 1/4 brick pin-out



**Selection Guide**

Part No.	INPUT		OUTPUT				Capacitive Load(μF)
	Normal (Vdc)	Range (Vdc)	Voltage (V1dc)	current (A)	Voltage (V2dc)	current (A)	
LD250G-300S24	300	200-400	24	10.42			

\*\*customized accepted, pls contact sales for details\*\*

**Input Specifications**

Item	Min	Typ	Max	Test Conditions
Start Voltage	-	-	180VDC	
CTRL	CTRL left open or TTL high level(3.5-12VDC)			Turn on
	CTRL connect -Vin or low level(0-1.2VDC)			Turn off
	-	2mA	10mA	Turn off input current
Hot Plug	Unavailable			

**Output Specifications**

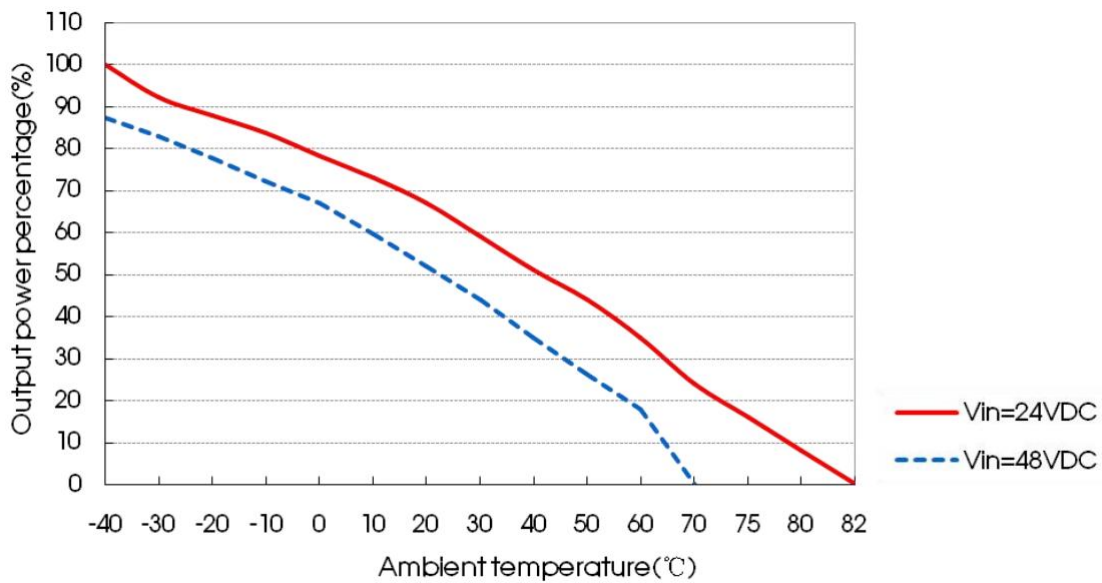
Item	Min	Typ	Max	Test Conditions
Voltage Accuracy		±1%	±3%	Full load, input voltage from low voltage to high voltage
Line Regulation		±0.2%	±0.5%	
Load Regulation		±0.5%	±0.75%	5%-100% Load
Transient Recovery Time	-	200μs	500μs	25% load variation
Transient Response Deviation	5V	-	±3%	25% load variation
	others	-	±3%	
Temperature Drift Coefficient	-	-	±0.03%/°C	Full Load
Ripple&Noisy	-	130mVp-p	250mVp-p	
Over Current Protect	110%Vo	125%Vo	160%Vo	
Over Voltage Protect	110%Io	125%Io	190%Io	
Over Temperature Protect	-	+115°C	+120°C	
Short Circuit Protect	Hiccup Style, Continuous, self-recovery			

**General Specifications**

Insulation Resistance	100MΩ	Input-Output, Insulation Voltage 500VDC
Isolation Voltage	2250VDC	Input-Output
	1500VDC	Input-Case
	500VDC	Output-Case
Isolation Capacitance	2200pF	
Switching Frequency	250KHz	PWM
MTBF	500K Hrs	Mil HDBK 217F Tc=25°C
TRIM	95%Vo(Min), 110%Vo(Max)	
Sense	105%Vo(Max)	
Case Temperature	-40~+100°C	
Storage Temperature	-55~+125°C	
Relative Humidity	10%-90%	
Pin Solder Temperature	250°C	Soldering spot is 1.5mm away from case for 10 seconds
Hand Soldering Time	10s	Iron Temperature 260 °C
Weight	60g (Typ)	

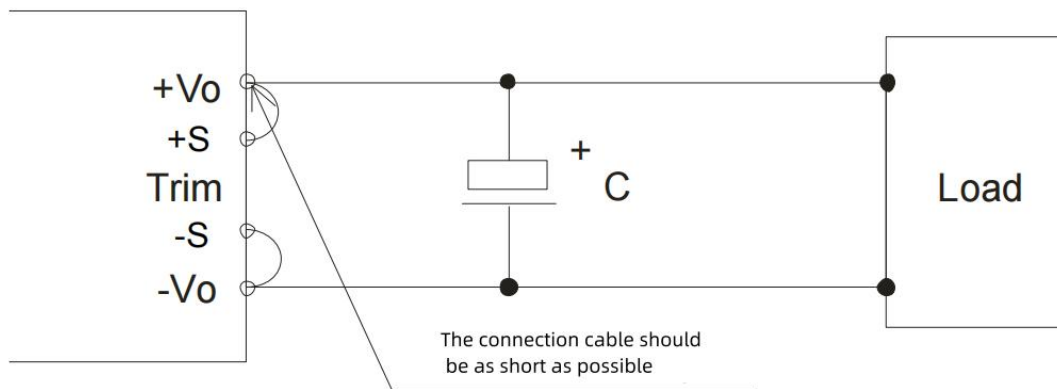
\*\*Unless specified, otherwise all other parameters are tested under the following conditions: nominal input voltage, pure resistive load, 25°C room temperature environment.

**Temperature Derating Curve**



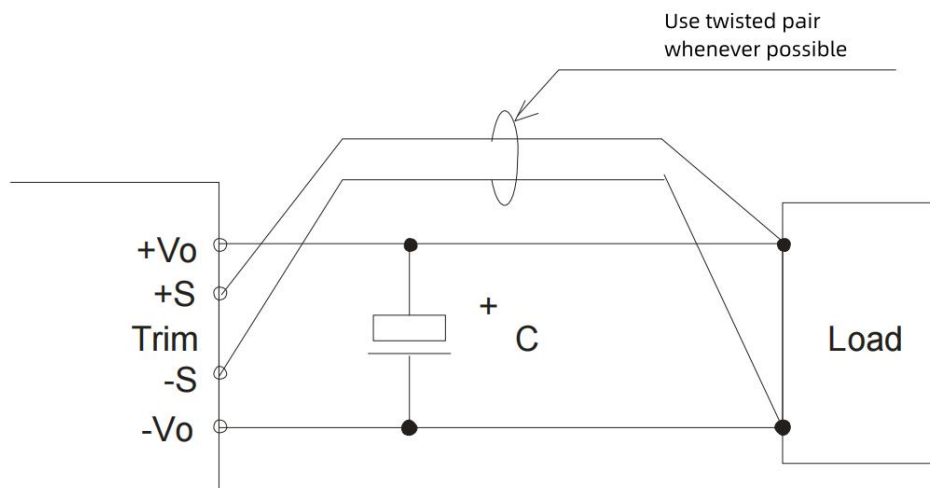
**TRIM Pin**

(1) When remote compensation is not used:

**Note:**

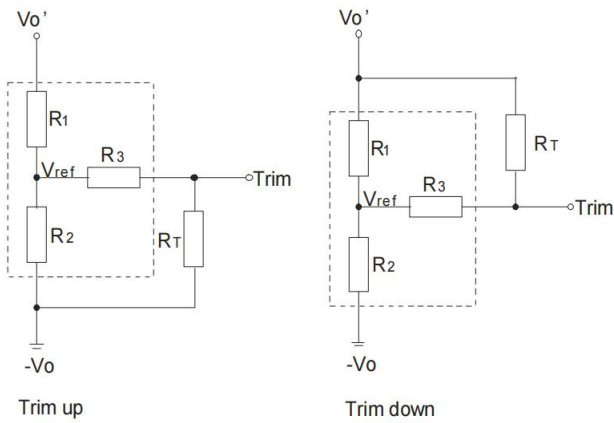
- 1) When no remote compensation is used, ensure that +Vo and +S, -Vo and -S are short-circuited;
- 2) The connection between +Vo and +S, -Vo and -S should be as short as possible and close to the terminal to avoid forming a large loop area. When noise enters this loop, it may cause instability of the module

(2) When using remote compensation:

**Note:**

1. If the remote compensation lead is too long, the output voltage may be unstable. If you must use a long remote compensation lead, please contact us.
2. If remote compensation is used, use twisted pair or shielded cable and make the lead as short as possible.
3. Use wide PCB leads or thick wires between the power module and the load, and keep the line voltage drop below 0.3V to ensure that the output voltage of the power module is kept within the specified range.
4. The impedance of the lead may cause output voltage oscillation or large ripple, please make adequate evaluation before use.

**TRIM and resistance calculation**

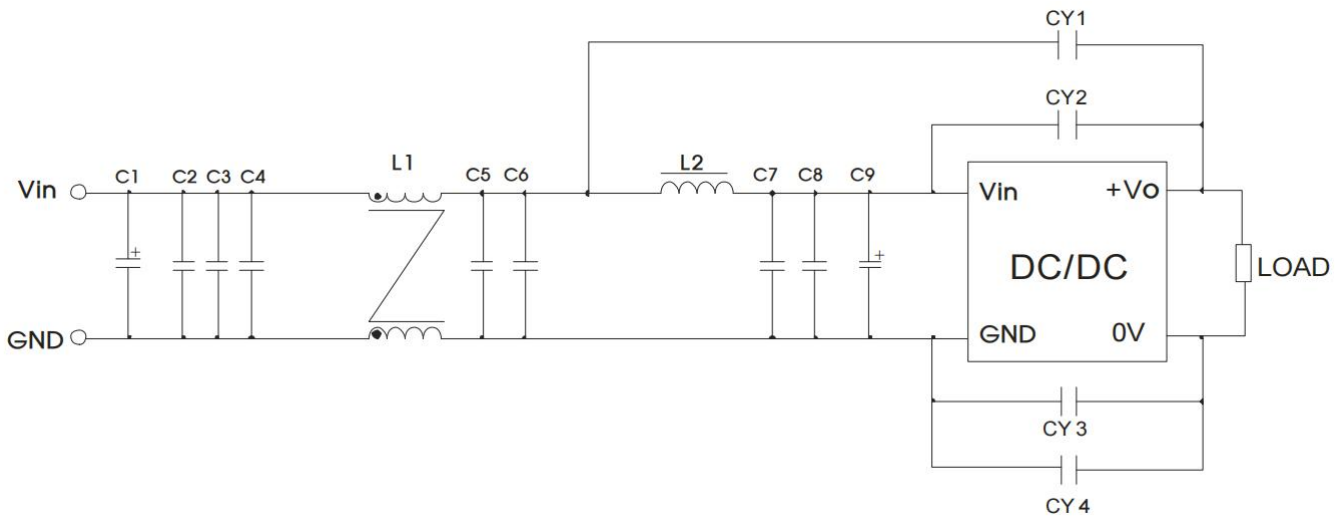


$$\text{up: } R_T = \frac{aR_2}{R_2 - a} - R_3 \qquad a = \frac{V_{ref}}{V_{o'} - V_{ref}} \cdot R_1$$

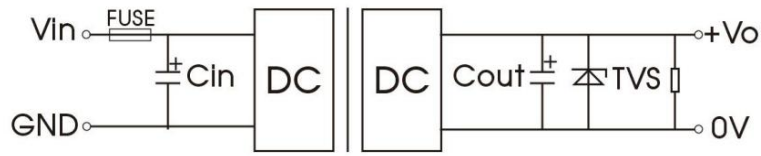
$$\text{down: } R_T = \frac{aR_1}{R_1 - a} - R_3 \qquad a = \frac{V_{o'} - V_{ref}}{V_{ref}} \cdot R_2$$

Vout(VDC)	R1(KΩ)	R2(KΩ)	R3(KΩ)	Vref(V)
12	11.00	2.87	15	2.5
24	24.872	2.87	15	2.5
48	53.017	2.913	15	2.5

EMC Recommend Circuit







Vout(VDC)	Fuse	Cin	Cout
12	20A, slow blow	220μF	220μF
24			100μF
48			100μF

**Noted**

1. Input current: Ensure that the output current of the power supply meets the instantaneous starting current of the power module (that is, twice the average input current of the power module).
2. Output load requirements: Avoid no-load use. When the actual power consumption of the load is less than 10% of the rated output power of the module or no load occurs, connect an external resistance to the output end (the sum of the external resistance and the load power is greater than or equal to 10% of the rated load) or select a module with a smaller rated power.
3. The external capacitance of the output end should not be too large; otherwise, the module may be overcurrent or poorly started. For details, see the external capacitance recommendation table.
4. External LC filter circuit can be connected for occasions with high ripple noise requirements.